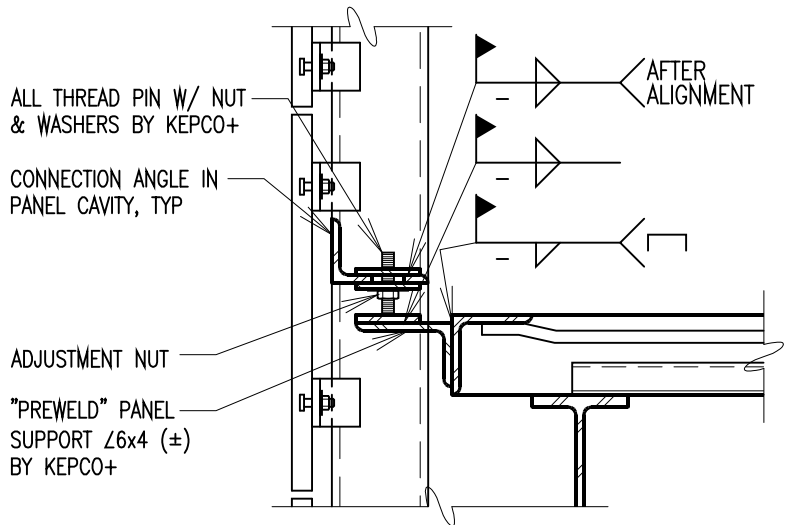
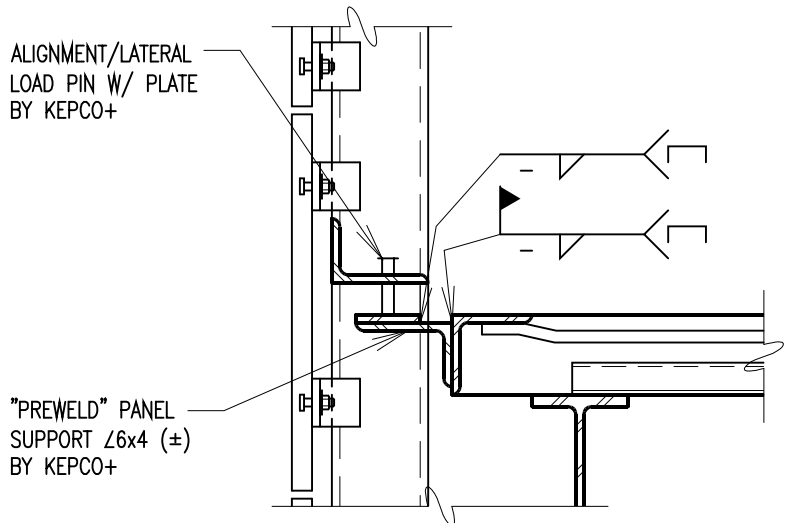


NOTE: ALL WELDS DESIGNED PER CODE REQUIREMENTS

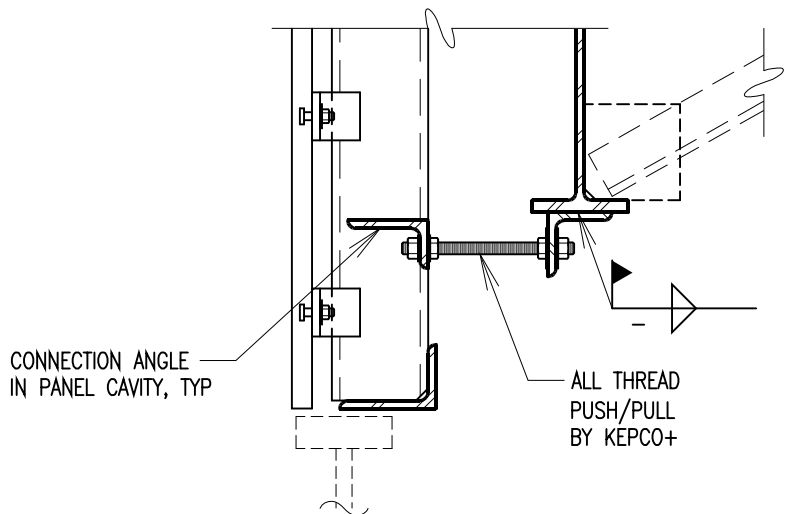
PERIMETER LT GA DECK CLOSURE COPED AT EMBEDS BY OTHERS



A LATERAL + GRAVITY CONNECTION
(MAIN DEAD LOAD CONN - 2 PER PANEL)



B LATERAL LOAD ONLY CONNECTION
(APPROX. 6 FT. O.C. WHERE NO DEAD LOAD EXISTS)



C LATERAL LOAD ONLY CONNECTION
(BOTTOM BEAM - PUSH/PULL)