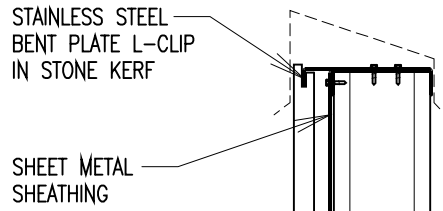
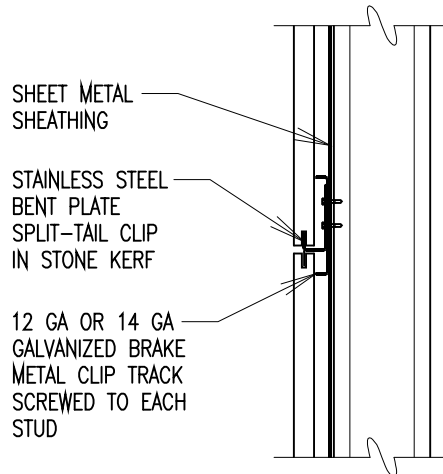


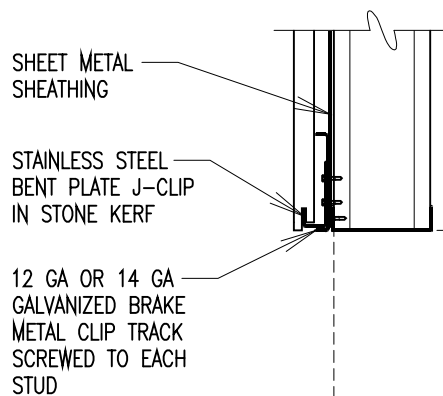
WALL SECTION



A CONNECTION AT TOP



B CONNECTION AT JOINTS



C CONNECTION AT BOTTOM